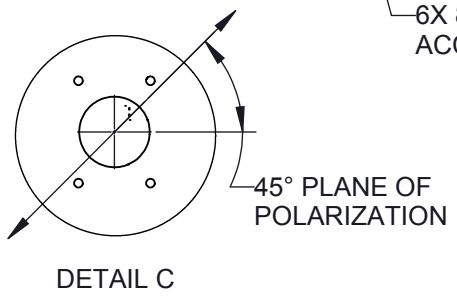
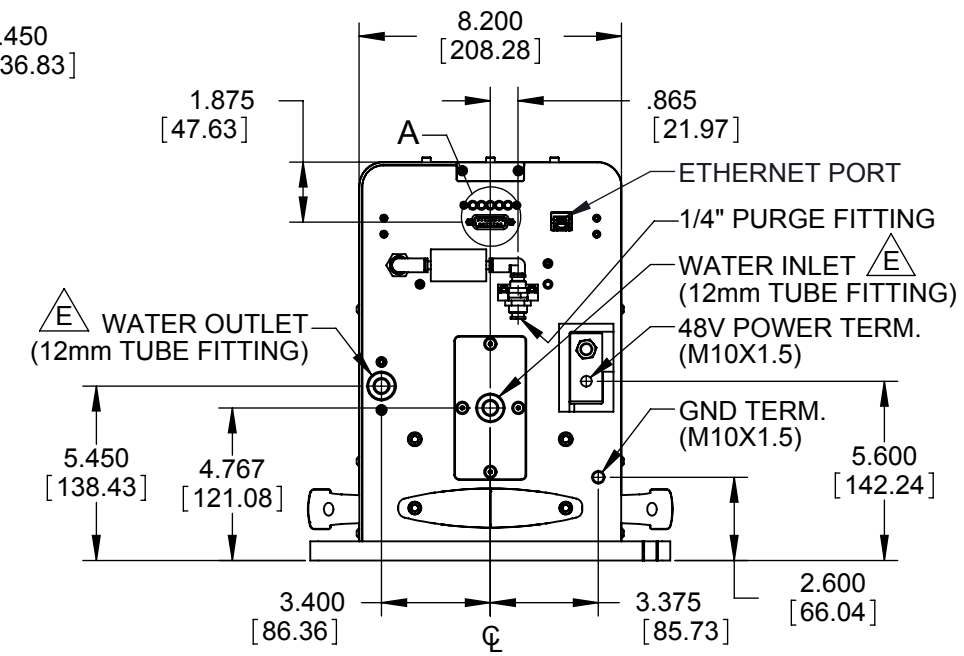
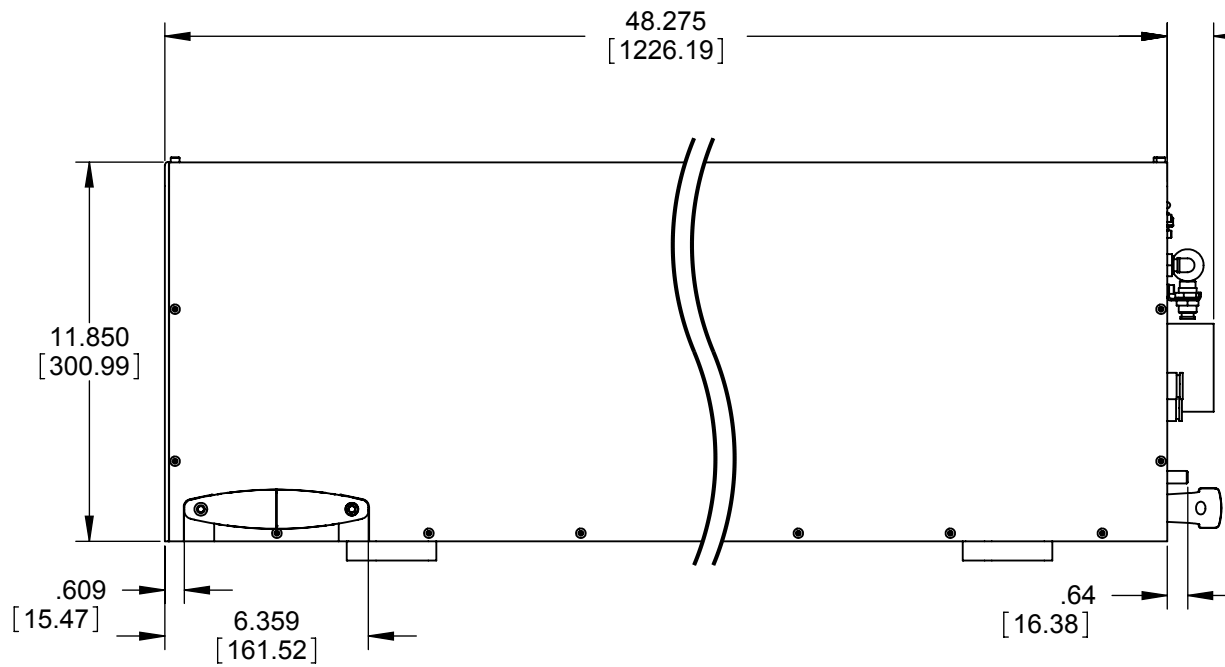
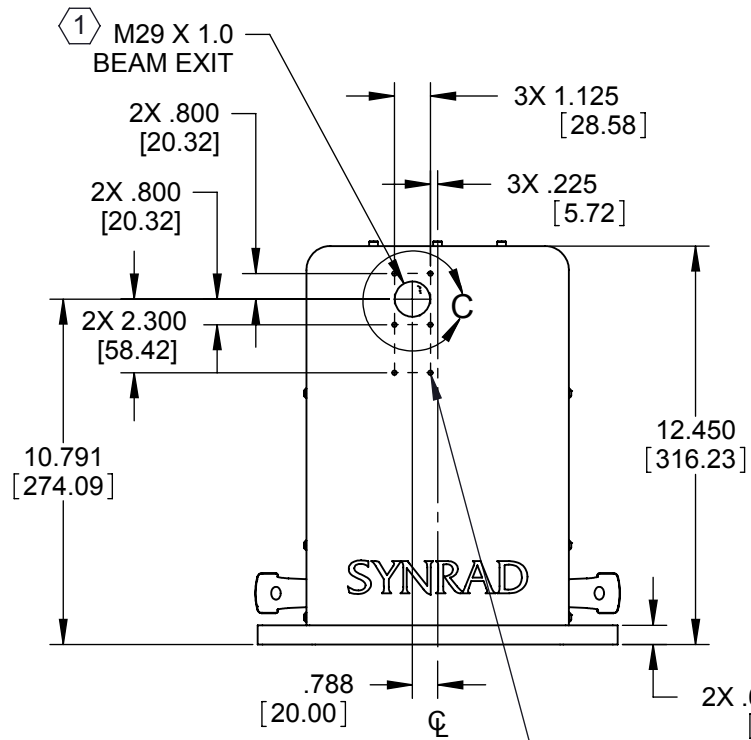
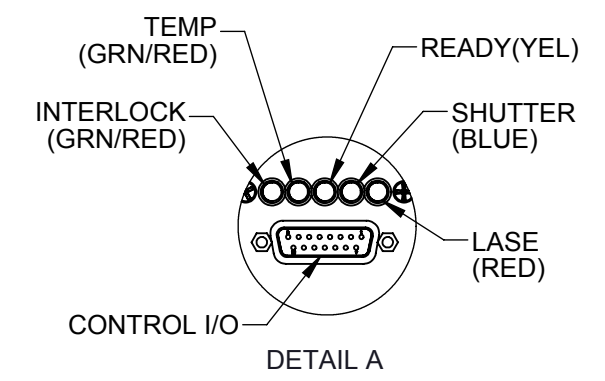
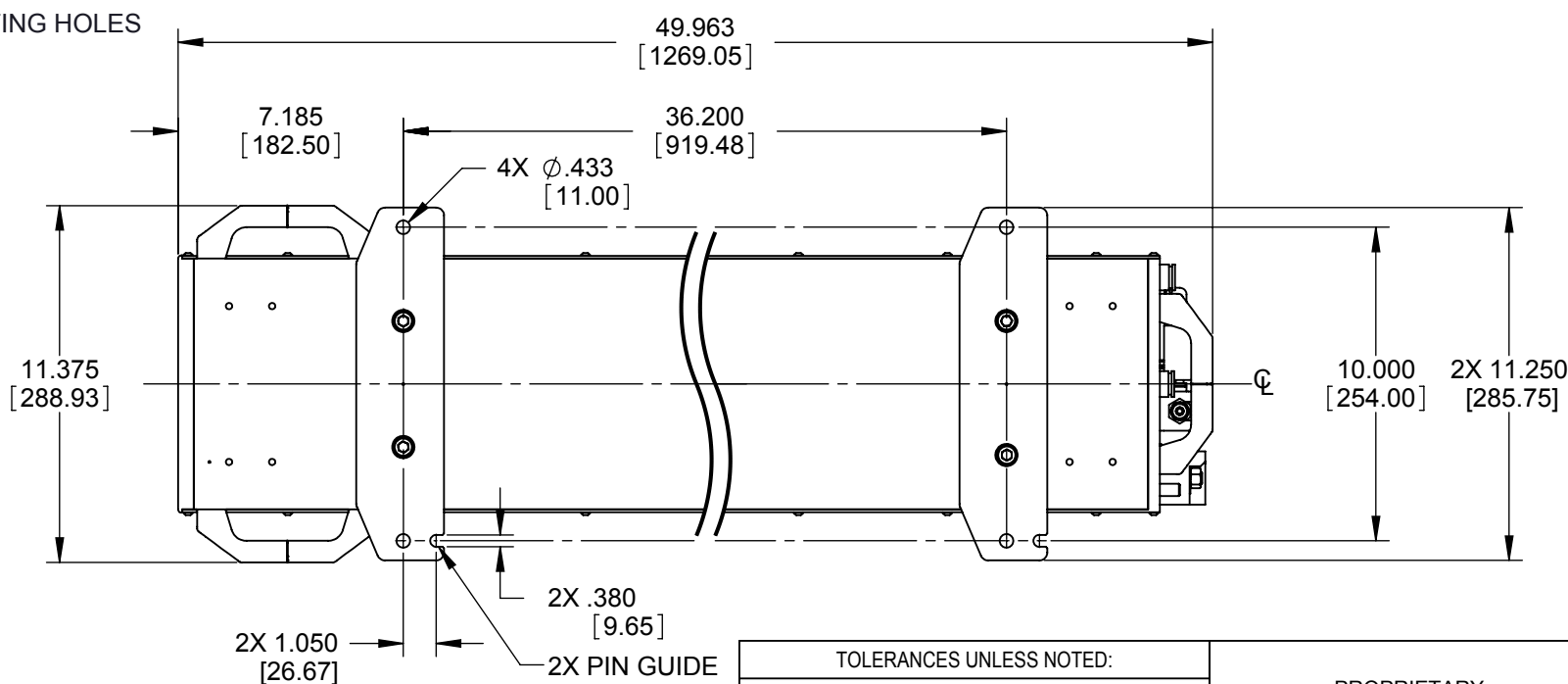


REV	ECO	DATE	DESCRIPTION	DB
C	4470	16-Nov-11	UPDATE TO SHOWN BASE PLATE CHANGES	DMD
D	4474	3-Jan-12	ADD/UPDATE NOTES	DMD
E	4702	19-Mar-13	CHANGE TO 12mm FITTINGS	DMD



OPTION 'A' MOUNTING



- NOTES:
- 1 BEAM CENTERED IN APERTURE WITHIN ±1.0mm
  - 2 THIS MOUNTING HOLE PATTERN USED FOR BOTTOM ACCESS FASTENING.

TOLERANCES UNLESS NOTED:

.x = ± .1	ANGLE = ± .5°
.xx = ± .01	
.xxx = ± .005	

MATERIAL:

FINISH:

PROPRIETARY  
THIS DRAWING IS PROPRIETARY TO SYNRAD INC. AND SHALL NOT BE USED OR DISCLOSED IN WHOLE OR IN PART WITHOUT WRITTEN PERMISSION OF SYNRAD INC.



SYNRAD INC.  
4600 Campus Place  
Mukilteo, WA 98275  
Phone: (425)349-3500  
Fax: (425)349-3667

DESCRIPTION: <b>OUTLINE &amp; MOUNTING, i401</b>			
PART NUMBER: 300-20151-01		DWG/FILE NUMBER: 300-20151-01	
SHEET 1 of 2	ENG: .	DRAWN BY: D. DUVAL	DATE: 6-Jan-11
UNITS: Inches	CATEGORY: .	CHECKED BY:	DATE:
SIZE: B	FINISH CLASS: .	APPROVED BY:	DATE: