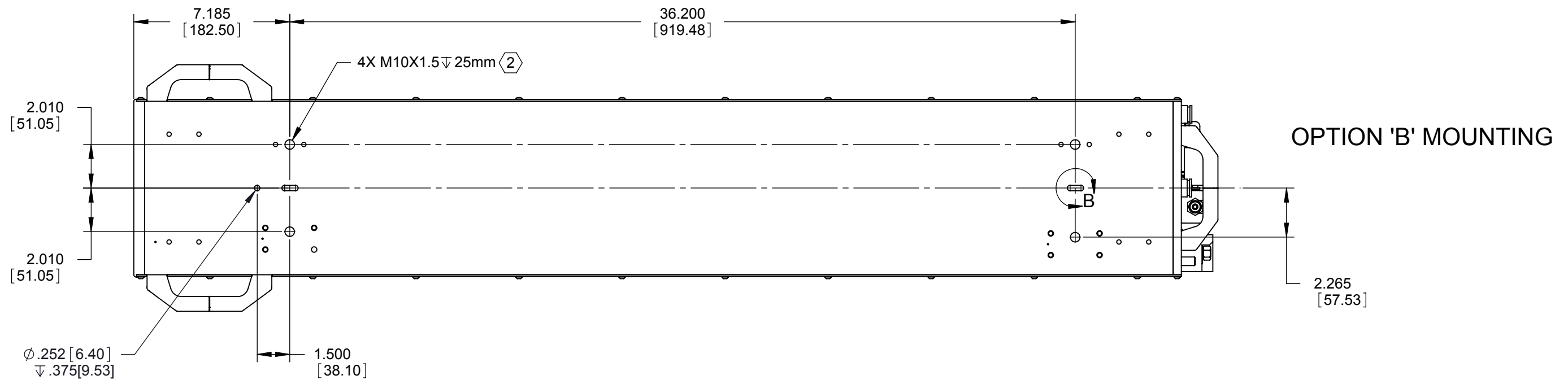
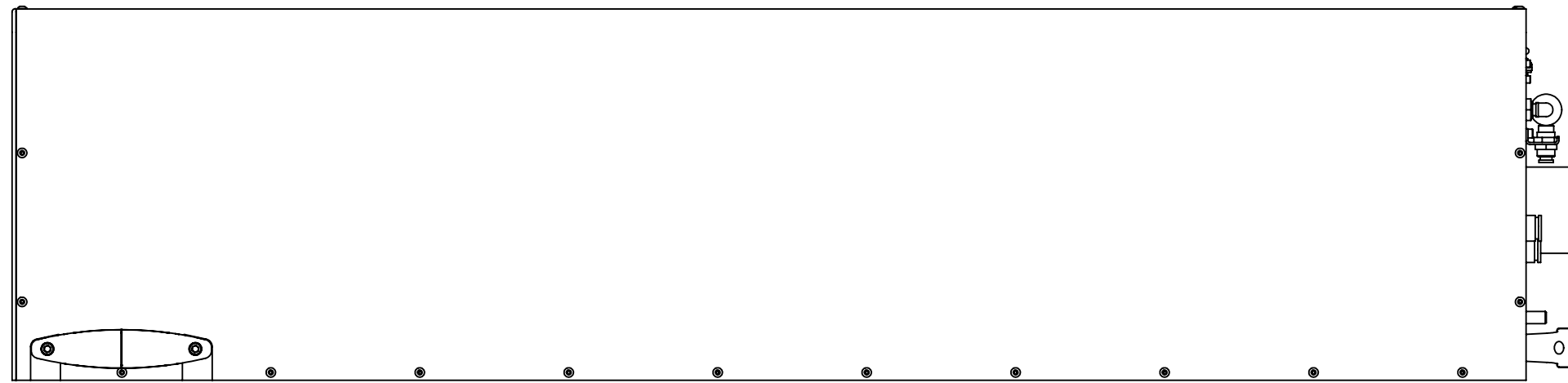
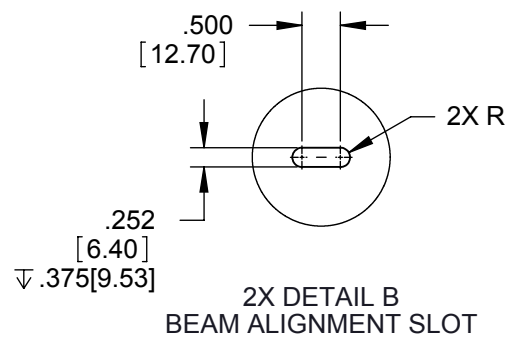



REV	ECO	DATE	DESCRIPTION	DB
C	4470	16-Nov-11	UPDATE TO SHOWN BASE PLATE CHANGES	DMD
D	4474	3-Jan-12	ADD/UPDATE NOTES	DMD
E	4702	19-Mar-13	CHANGE TO 12mm FITTINGS	DMD



Ø.252 [6.40]  
▽.375[9.53]



TOLERANCES UNLESS NOTED:		PROPRIETARY THIS DRAWING IS PROPRIETARY TO SYNRAD INC. AND SHALL NOT BE USED OR DISCLOSED IN WHOLE OR IN PART WITHOUT WRITTEN PERMISSION OF SYNRAD INC.		 SYNRAD INC. 4600 Campus Place Mukilteo, WA 98275 Phone: (425)349-3500 Fax: (425)349-3667	
.x = ± .1      ANGLE = ± .5°					
.xx = ± .01					
.xxx = ± .005		DESCRIPTION: <b>OUTLINE &amp; MOUNTING, i401</b>			
MATERIAL:		PART NUMBER: 300-20151-01 OPTION B		DWG/FILE NUMBER: 300-20151-01	
FINISH:		SHEET 2 of 2    ENG: .		DRAWN BY: D. DUVAL    DATE: 6-Jan-11	
.		UNITS: Inches    CATEGORY: .		CHECKED BY:    DATE:	
.		SIZE: B    FINISH CLASS: .		APPROVED BY:    DATE:	
.					