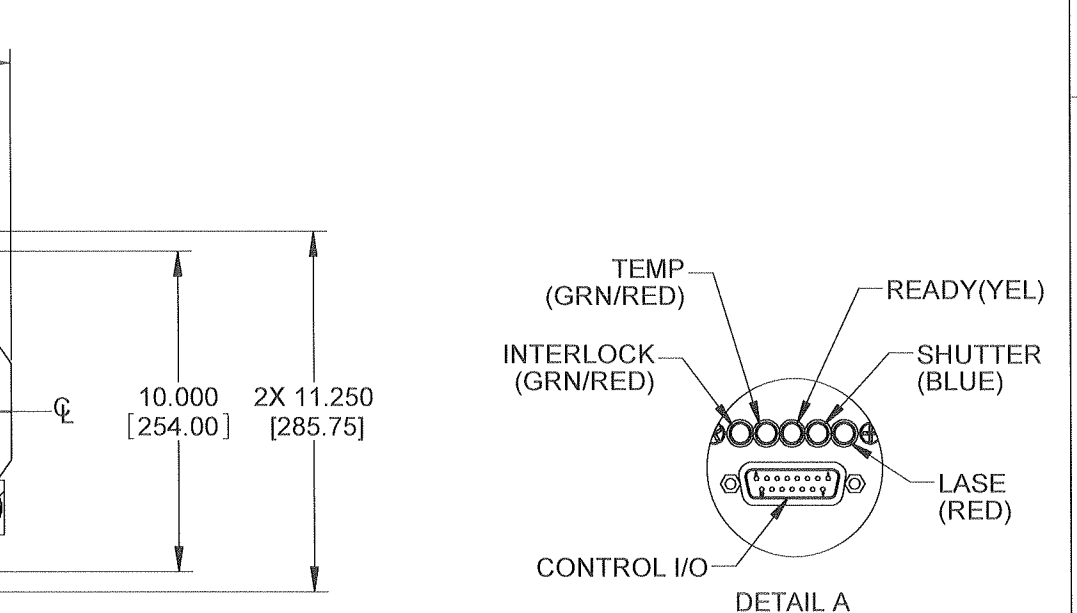
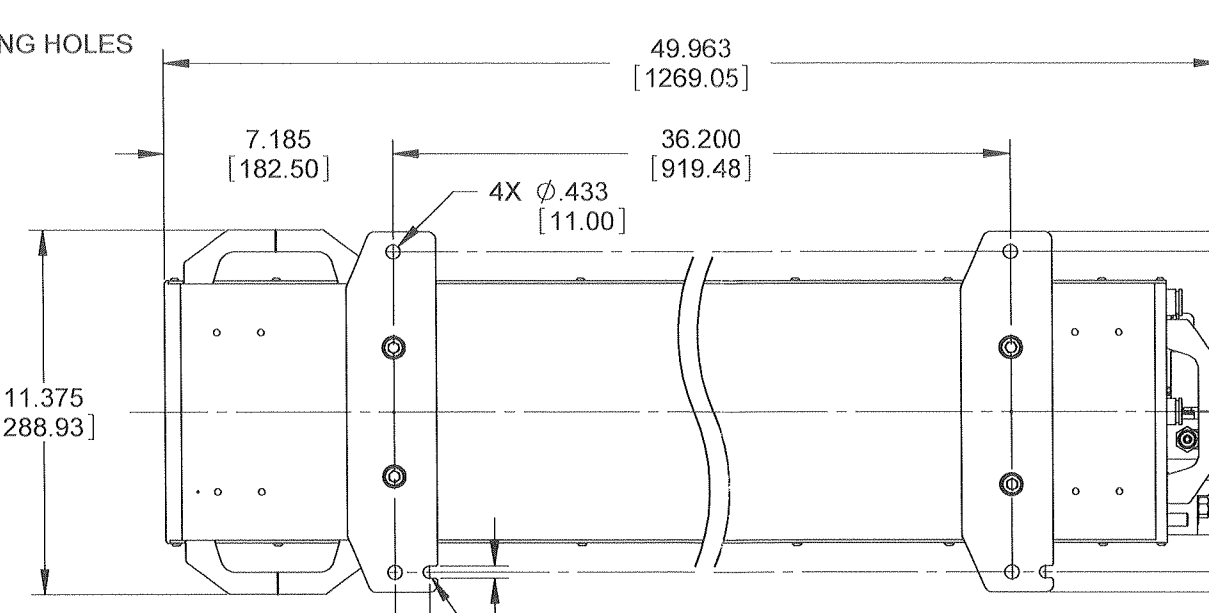
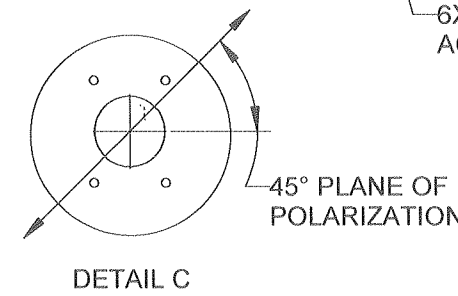
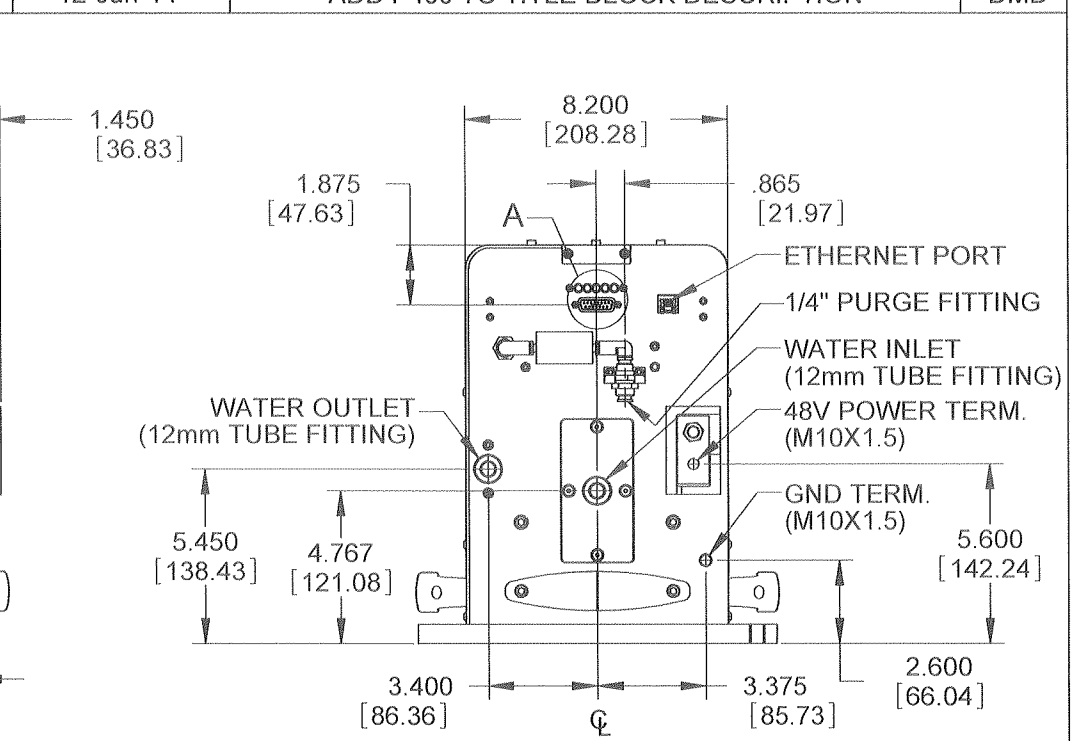
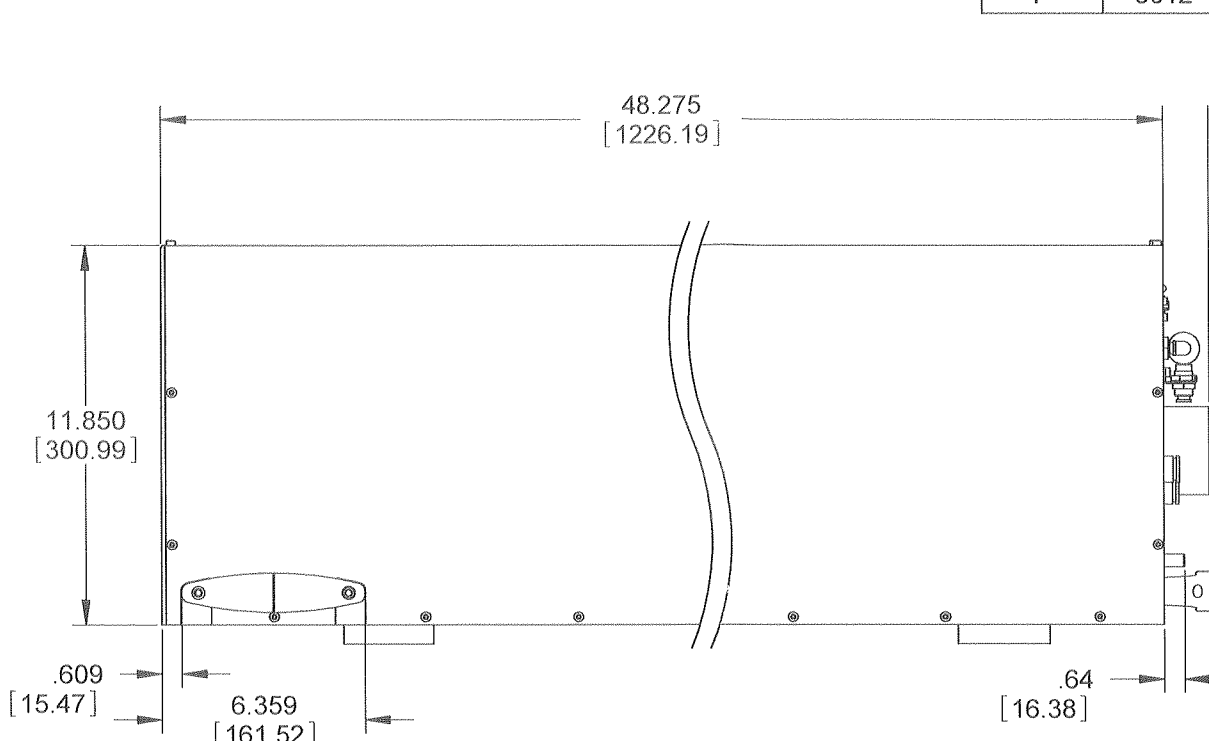
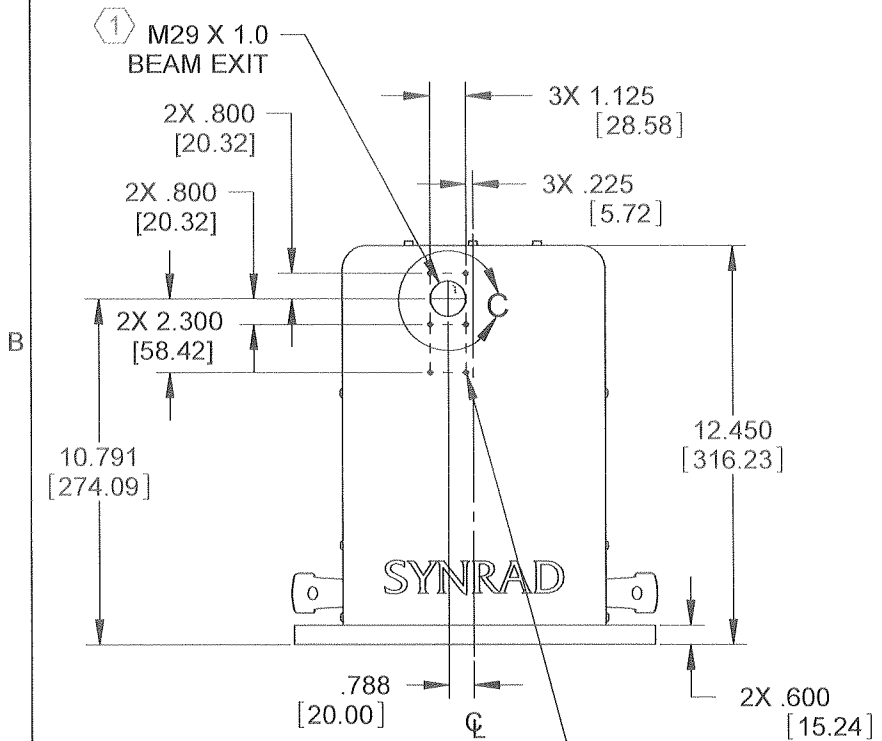


REV	ECO	DATE	DESCRIPTION	DB
D	4474	3-Jan-12	ADD/UPDATE NOTES	DMD
E	4702	19-Mar-13	CHANGE TO 12mm FITTINGS	DMD
F	5012	12-Jun-14	ADD P400 TO TITLE BLOCK DESCRIPTION	DMD



OPTION 'A'  
MOUNTING

- NOTES:
- ① BEAM CENTERED IN APERTURE WITHIN  $\pm 1.0\text{mm}$
  - ② THIS MOUNTING HOLE PATTERN USED FOR BOTTOM ACCESS FASTENING.

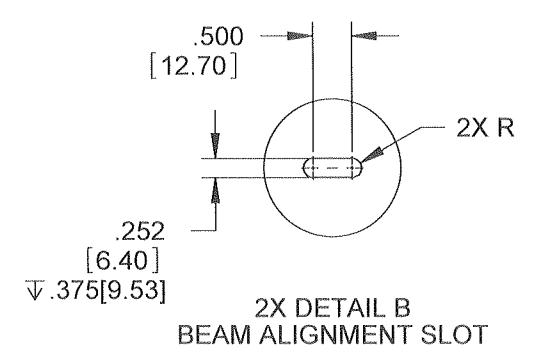
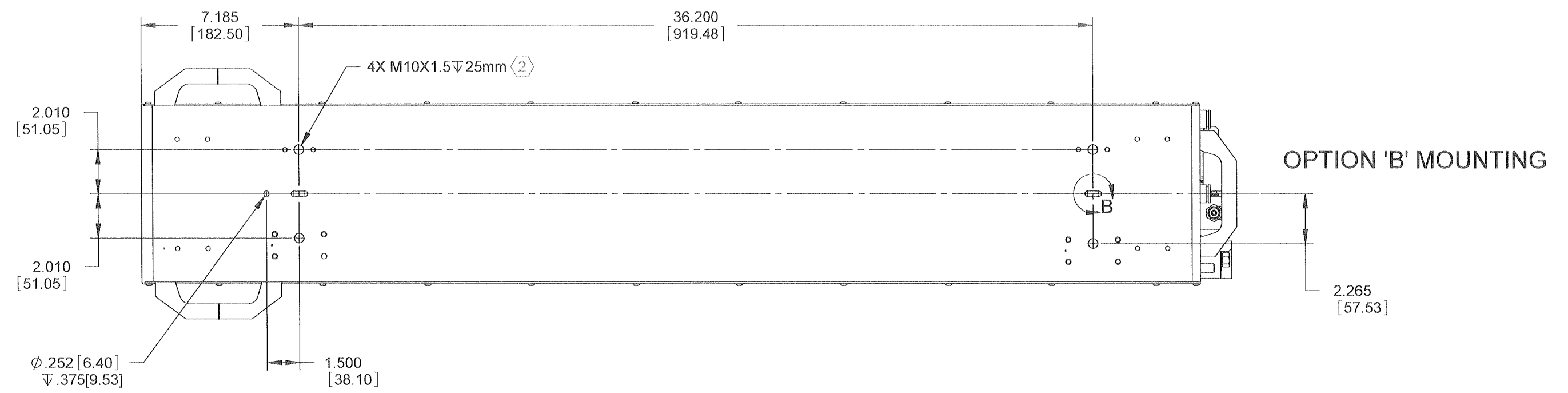
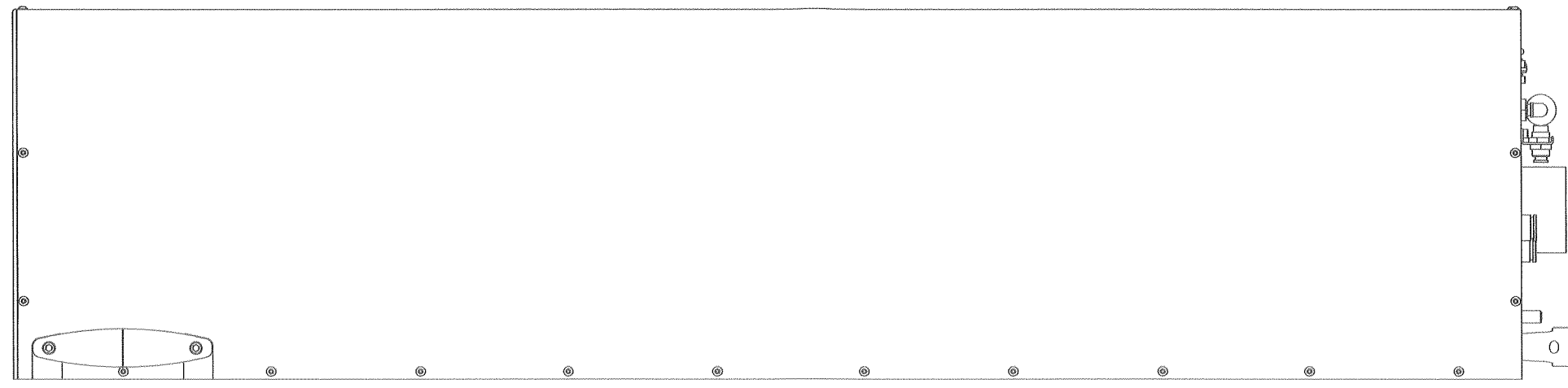
TOLERANCES UNLESS NOTED:		PROPRIETARY THIS DRAWING IS PROPRIETARY TO SYNRAD INC. AND SHALL NOT BE USED OR DISCLOSED IN WHOLE OR IN PART WITHOUT WRITTEN PERMISSION OF SYNRAD INC.		SYNRAD INC. 4600 Campus Place Mukilteo, WA 98275 Phone: (425)349-3500 Fax: (425)349-3667	
.x = $\pm .1$	ANGLE = $\pm .5^\circ$	DESCRIPTION: <b>OUTLINE &amp; MOUNTING, i401/P400</b> $\triangle$			
.xx = $\pm .01$					
.xxx = $\pm .005$		PART NUMBER: 300-20151-01		DWG/FILE NUMBER: 300-20151-01	
MATERIAL:		SHEET 1 of 2		DRAWN BY: D. DUVALL	
FINISH:		UNITS: Inches		DATE: 6-Jan-11	
		CATEGORY:		CHECKED BY: <i>S. V. [Signature]</i>	
		FINISH CLASS:		DATE: 6-16-14	
		APPROVED BY: <i>M. [Signature]</i>		REV. F	

4

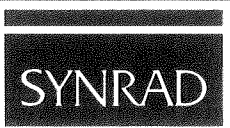
3

2

1



PROPRIETARY THIS DRAWING IS PROPRIETARY TO SYNRAD INC. AND SHALL NOT BE USED OR DISCLOSED IN WHOLE OR IN PART WITHOUT WRITTEN PERMISSION OF SYNRAD INC.	DESCRIPTION: <b>OUTLINE &amp; MOUNTING, i401/P400</b>			
	PART NUMBER: 300-20151-01	REV. F	DWG/FILE NUMBER: 300-20151-01	SIZE: B SHEET 2 of 2



4

3

2

1

B

B

A

A