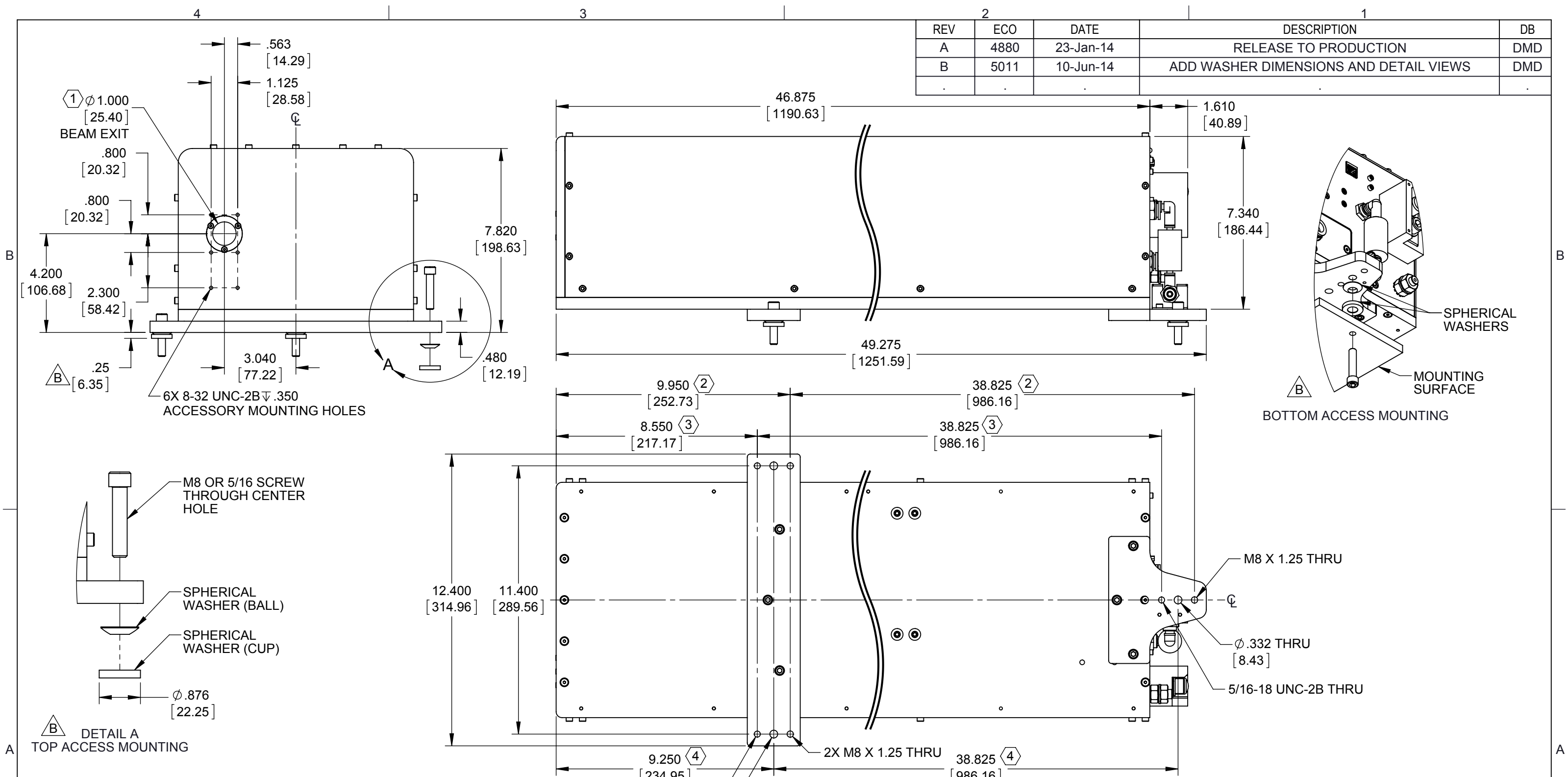


REV	ECO	DATE	DESCRIPTION	DB
A	4880	23-Jan-14	RELEASE TO PRODUCTION	DMD
B	5011	10-Jun-14	ADD WASHER DIMENSIONS AND DETAIL VIEWS	DMD



- NOTES:
- ① BEAM CENTERED IN APERTURE WITHIN ± 1.0 mm.
 - ② THIS HOLE PATTERN IS USED WHEN BOTTOM ACCESS MOUNTING IS DESIRED WITH M8 FASTENERS.
 - ③ THIS HOLE PATTERN IS USED WHEN BOTTOM ACCESS MOUNTING IS DESIRED WITH 5/16-18 FASTENERS.
 - ④ THIS HOLE PATTERN IS USED WHEN TOP ACCESS MOUNTING IS DESIRED. STANDARD OR METRIC FASTENERS.

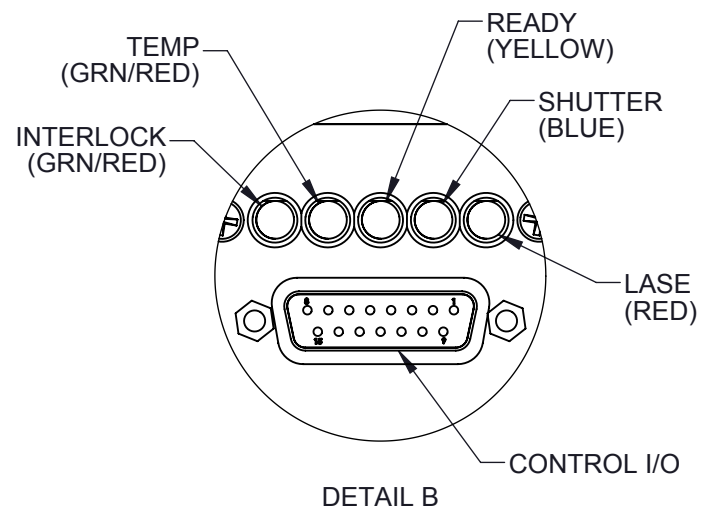
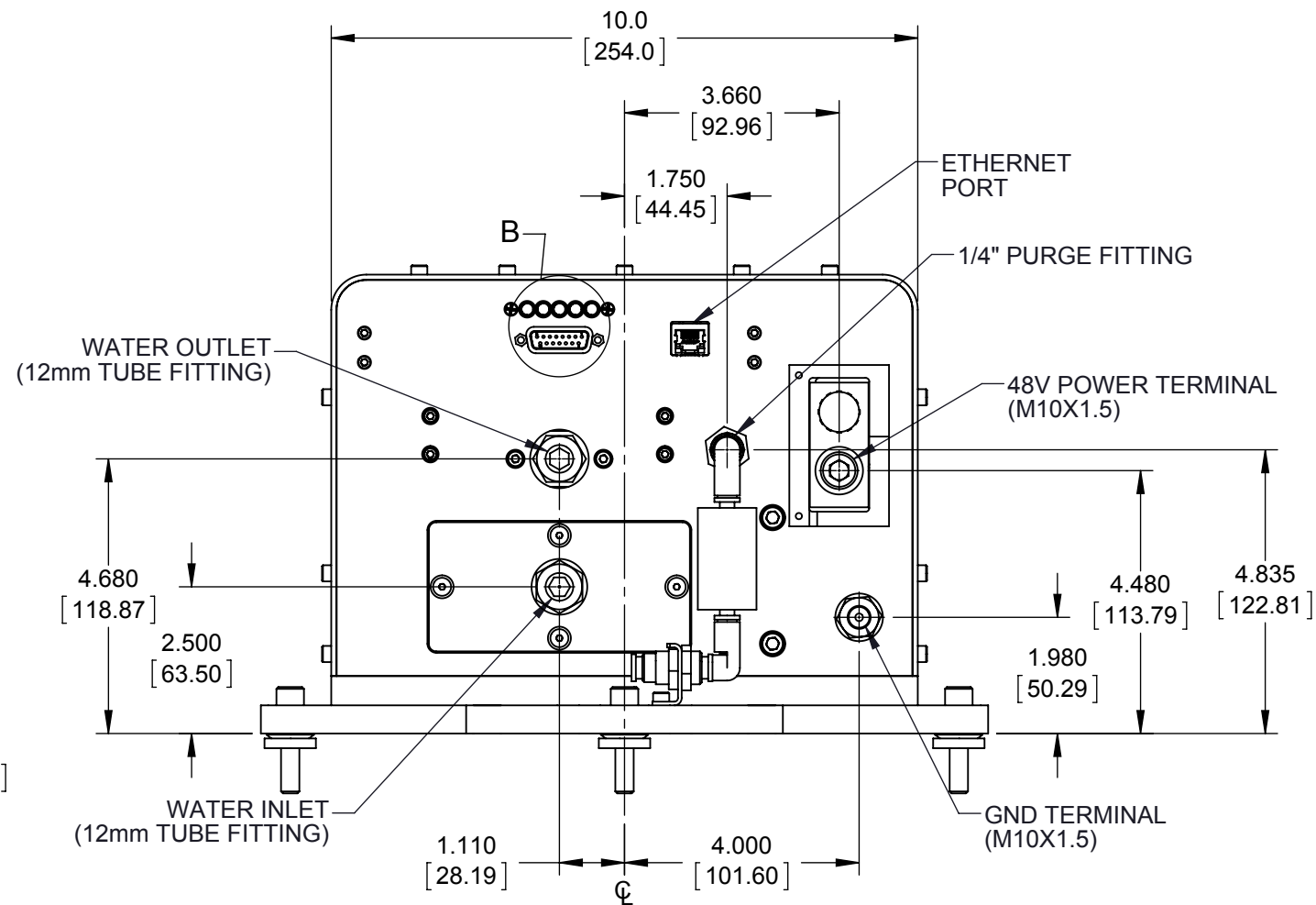
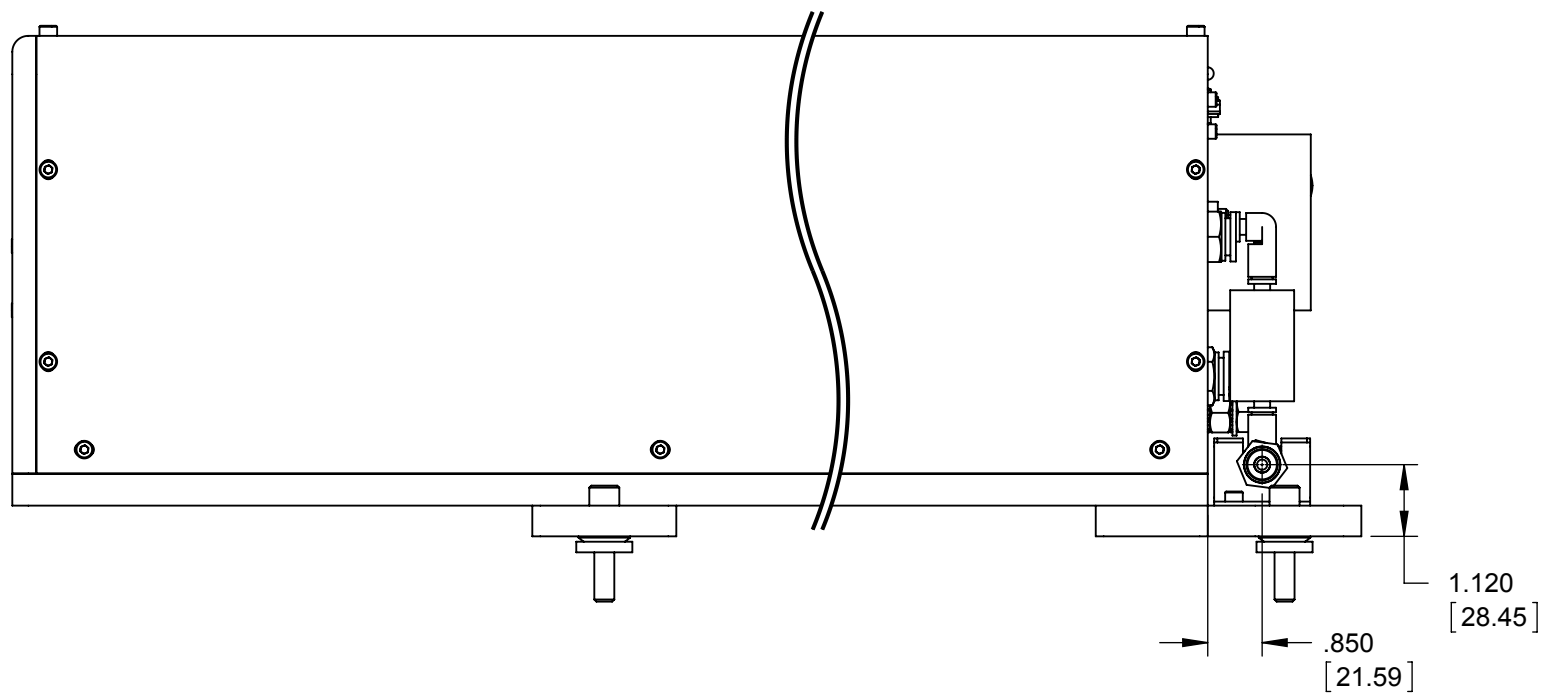
TOLERANCES UNLESS NOTED:	
.x = $\pm .1$	ANGLE = $\pm .5^\circ$
.xx = $\pm .01$	
.xxx = $\pm .005$	
MATERIAL:	
FINISH:	

PROPRIETARY
THIS DRAWING IS PROPRIETARY TO
SYNRAD INC. AND SHALL NOT BE
USED OR DISCLOSED IN WHOLE
OR IN PART WITHOUT WRITTEN
PERMISSION OF SYNRAD INC.



SYNRAD INC.
4600 Campus Place
Mukilteo, WA 98275
Phone: (425)349-3500
Fax: (425)349-3667

DESCRIPTION: OUTLINE & MOUNTING, P250	
PART NUMBER: 300-20538-01	DWG/FILE NUMBER: 300-20538-01
SHEET 1 of 2	ENG: .
UNITS: Inches	CATEGORY: .
SIZE: B	FINISH CLASS: .
DRAWN BY: D. DUVALL	DATE: 23-Jan-14
CHECKED BY:	DATE:
APPROVED BY:	DATE:
REV. B	



PROPRIETARY THIS DRAWING IS PROPRIETARY TO SYNRAD INC. AND SHALL NOT BE USED OR DISCLOSED IN WHOLE OR IN PART WITHOUT WRITTEN PERMISSION OF SYNRAD INC.	DESCRIPTION: OUTLINE & MOUNTING, P250			
	PART NUMBER: 300-20538-01	REV. B	DWG/FILE NUMBER: 300-20538-01	SIZE: B SHEET 2 of 2

