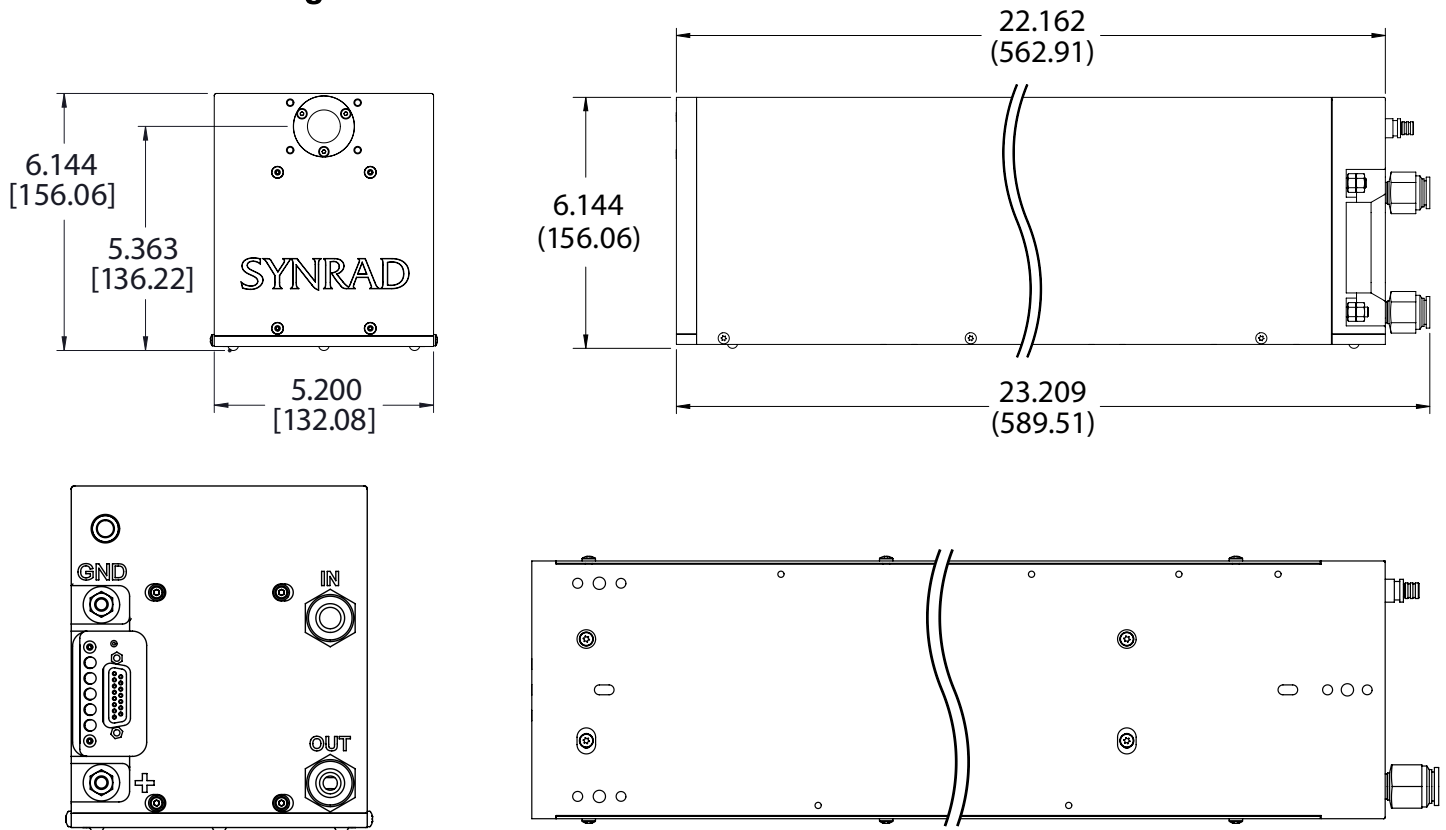




# Pulstar p100 - Pulsed CO<sub>2</sub> Industrial Laser

## Outline and Mounting:



## Typical Applications:

**High Speed Textile/Leather Cutting Systems:** Typically used with a Galvo scan head, these systems can process a variety of fabrics, foams and leathers used in the garment industry. By nature these materials can char easily when cut, but this can be greatly reduced by using a pulsed laser to more efficiently deliver the energy—providing cleaner, sharper cuts and better results.

**Converting:** With peak pulsed power, the **p100** is ideal for high-speed processing in the flexible and rigid packaging markets; and the optimal power stability is ideal for consistent precision cutting of label materials.



Cutting leather

Converting - perforated pouches

Scribing/Drilling/Cutting ceramic

Converting - label cutting

These are only examples of potential uses for the **Pulstar p100**.

Contact your Synrad Representative to determine the best laser for your applications.



Invisible Laser Radiation.  
Avoid eye or skin exposure to direct or scattered radiation.  
Class 4 Laser Product.



Scan here to learn more about  
Synrad's pulsed lasers

