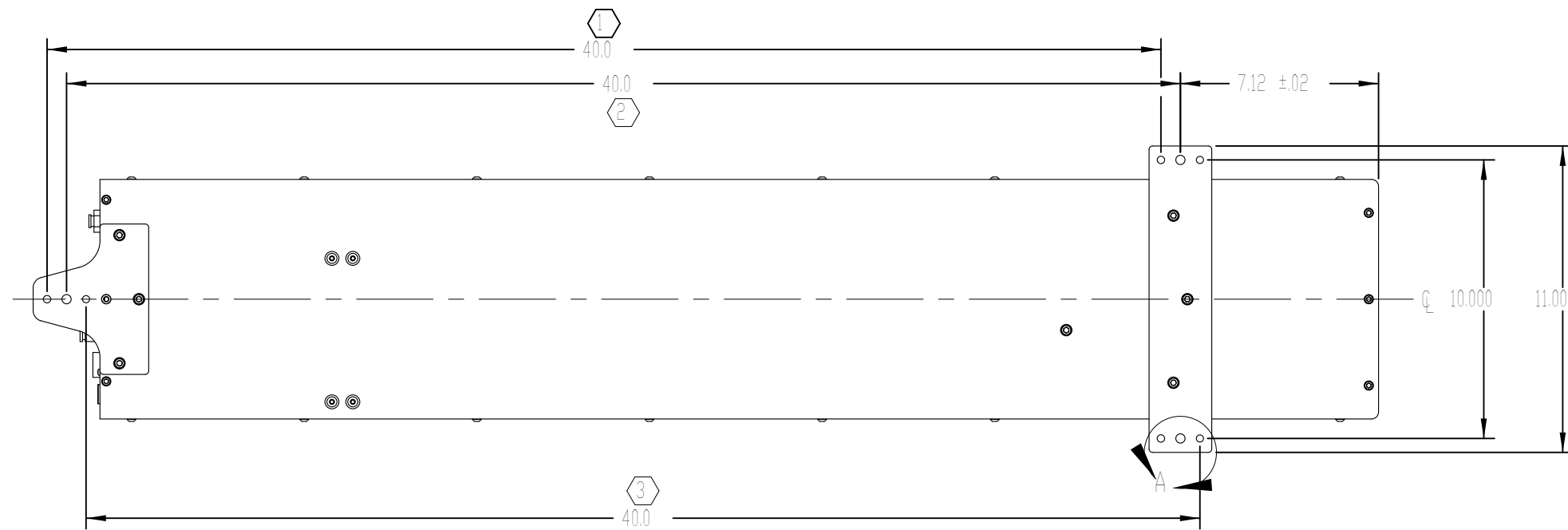
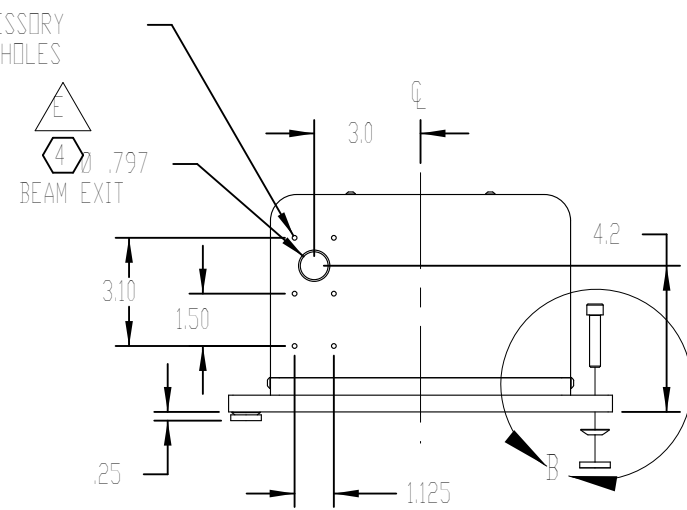
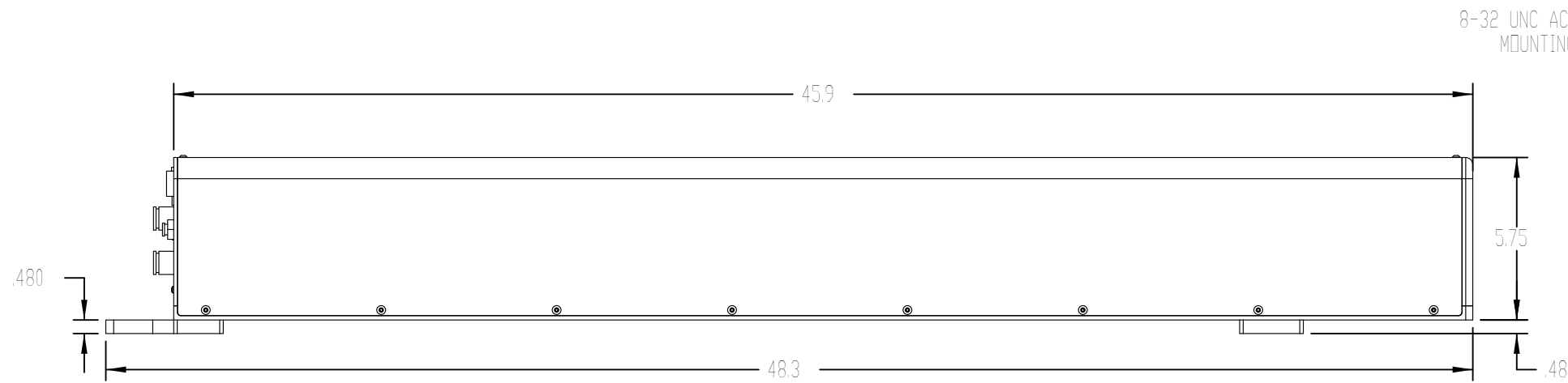
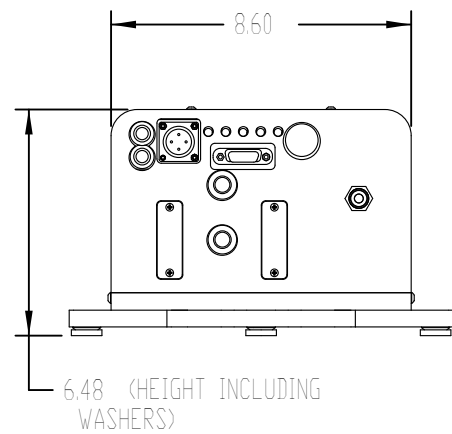


NOTES:

- ① THIS MOUNTING HOLE PATTERN IS USED WHEN BOTTOM ACCESS MOUNTING IS DESIRED WITH M8 FASTENERS.
- ② THIS MOUNTING HOLE PATTERN IS USED WHEN TOP ACCESS MOUNTING IS DESIRED, STANDARD OR METRIC FASTENERS.
- ③ THIS MOUNTING HOLE PATTERN IS USED WHEN BOTTOM ACCESS MOUNTING IS DESIRED WITH 5/16-18 FASTENERS.
- △ ④ BEAM PATH MAY NOT BE CENTERED OR PERPENDICULAR TO FACEPLATE APERTURE.

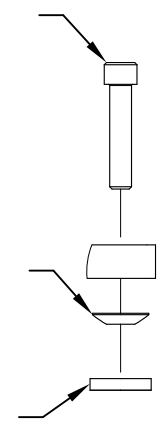
REV	ECO	DATE	DESCRIPTION	DB
D	3912	15-Aug-08	ADD BEAM EXIT, CONVERT TO SOLIDWORKS	DMD
E	4107	9-Sep-09	ADD NOTE 4	DMD



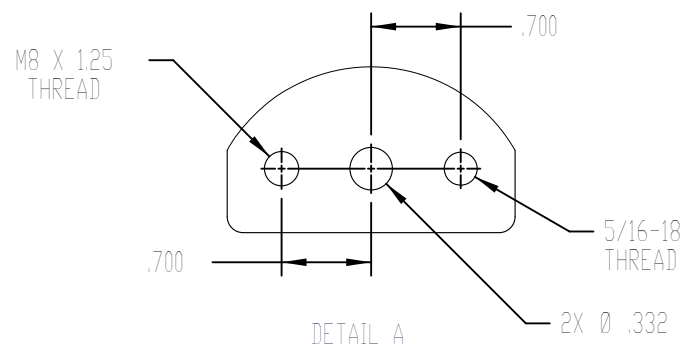
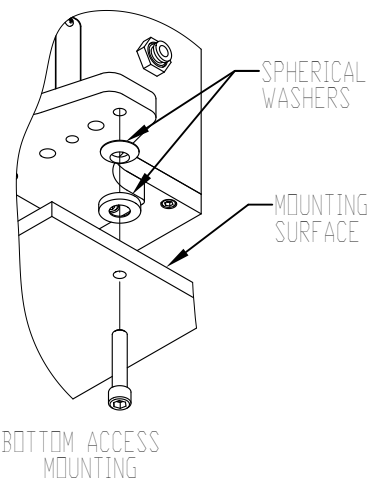
M8 OR 5/16 SCREW THROUGH CENTER HOLE

SPHERICAL WASHER (BALL)

SPHERICAL WASHER (CUP)



DETAIL B
TOP ACCESS MOUNTING



TOLERANCES UNLESS NOTED:	
.x = ± 0.1	ANGLE = ± 2.0 °
.xx = ± 0.01	
.xxx = ± 0.005	
MATERIAL:	
FINISH:	

PROPRIETARY
THIS DRAWING IS PROPRIETARY TO SYNRAD INC. AND SHALL NOT BE USED OR DISCLOSED IN WHOLE OR IN PART WITHOUT WRITTEN PERMISSION OF SYNRAD INC.

DESCRIPTION:
OUTLINE & MOUNTING, F201

PART NUMBER: 300-19105-01

SHEET 1 of 1

UNITS: Inches

SIZE: B

	SYNRAD INC. 4600 Campus Place Mukilteo, WA 98275 Phone: (425)349-3500 Fax: (425)349-3667		
	DWG/FILE NUMBER: 300-19105-01	DRAWN BY: E. Stockinger	DATE: 10-Feb-04
CHECKED BY:	DATE:	APPROVED BY:	DATE: