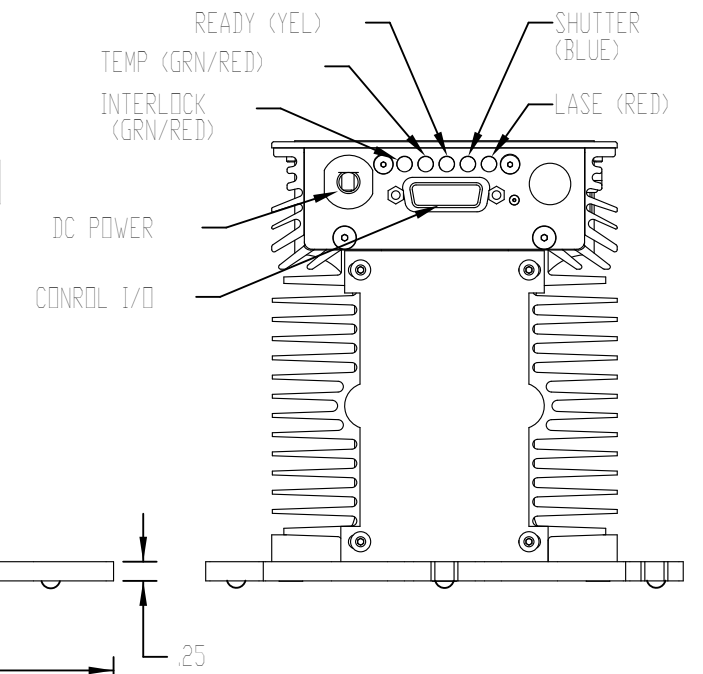
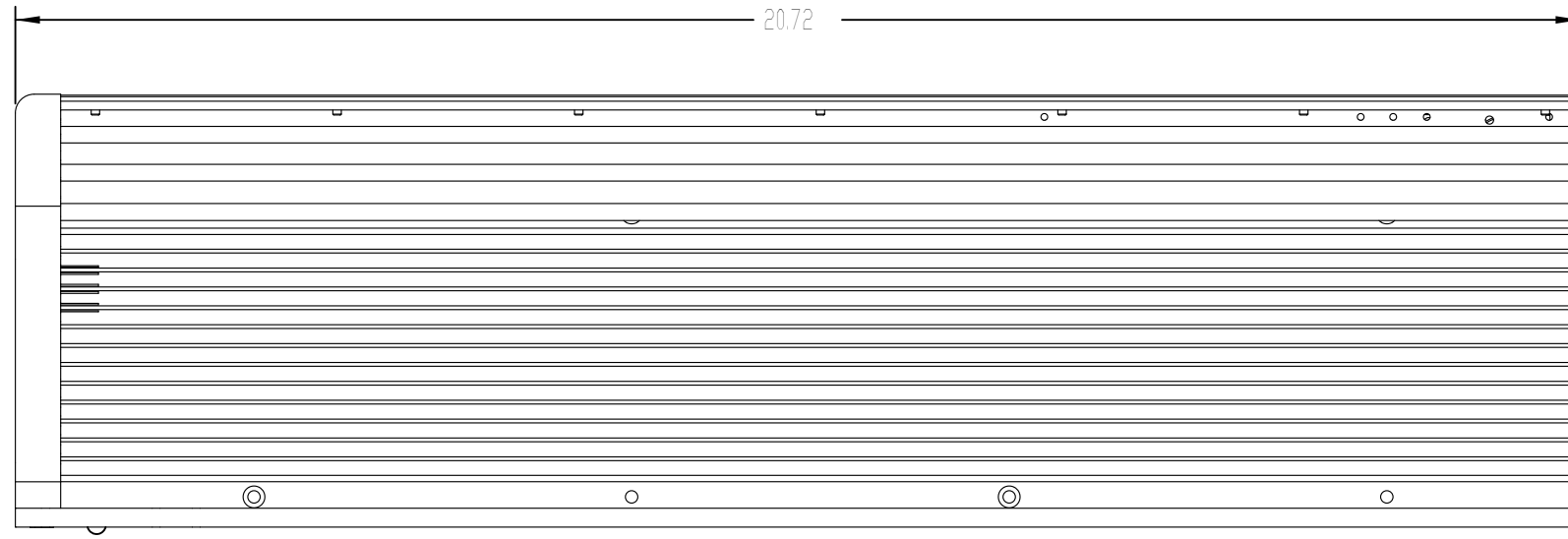
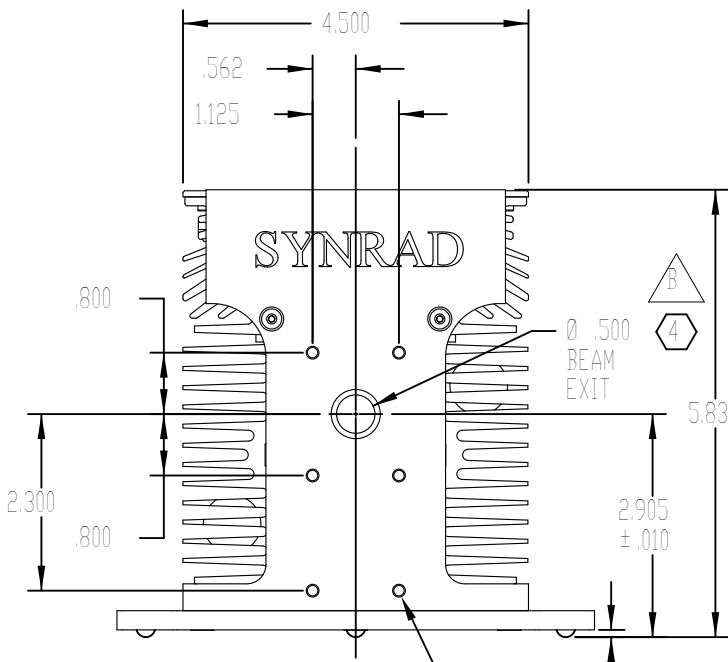
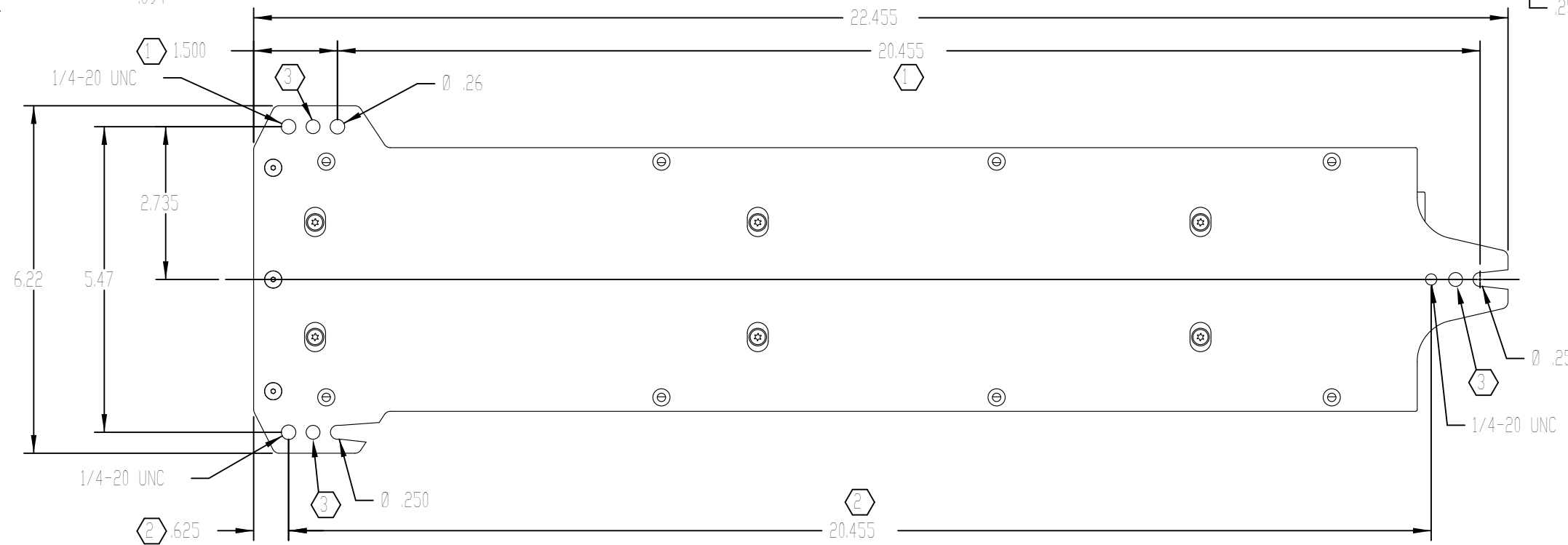


REV	ECD	DATE	DESCRIPTION	DB
A	4045	14-May-09	RELEASE TO PRODUCTION	DMD
B	4107	9-Sep-09	ADD NOTE 4	DMD



6X 8-32 UNC ACCESSORY MOUNTING HOLES. SCREWS SHOULD NOT EXTEND MORE THAN .19 INTO FACE PLATE



NOTES:

- ① THIS MOUNTING HOLE PATTERN USED WHEN TOP ACCESS FASTENING DESIRED.
- ② THIS MOUNTING HOLE PATTERN USED WHEN BOTTOM ACCESS FASTENING DESIRED.
- ③ HARDENED BALL MOUNTING POINT, 3X (Ø.250 STEEL BALL).
- ⚠️ ④ BEAM PATH MAY NOT BE CENTERED OR PERPENDICULAR TO FACEPLATE APERTURE.

TOLERANCES UNLESS NOTED:	
.x = ± .	ANGLE = ± . °
.xx = ± .	
.xxx = ± .	
MATERIAL:	
FINISH:	

PROPRIETARY THIS DRAWING IS PROPRIETARY TO SYNRAD INC. AND SHALL NOT BE USED OR DISCLOSED IN WHOLE OR IN PART WITHOUT WRITTEN PERMISSION OF SYNRAD INC.

DESCRIPTION:  
OUTLINE & MOUNTING, AIR-COOLED, Ti60, OEM

PART NUMBER: 300-19847-01

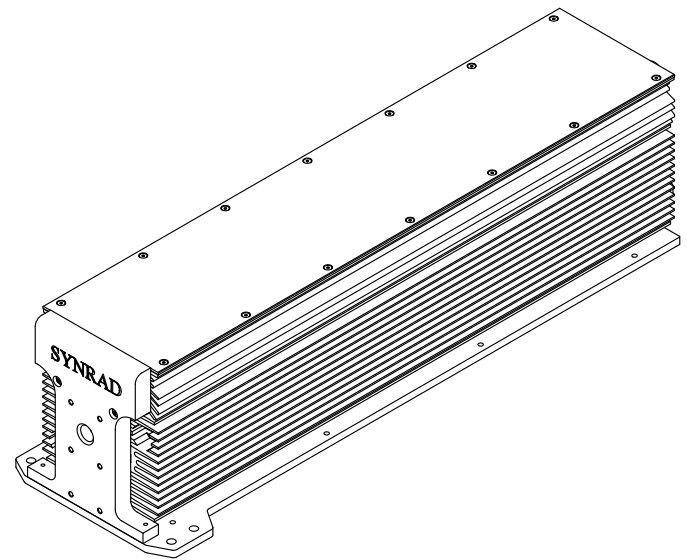
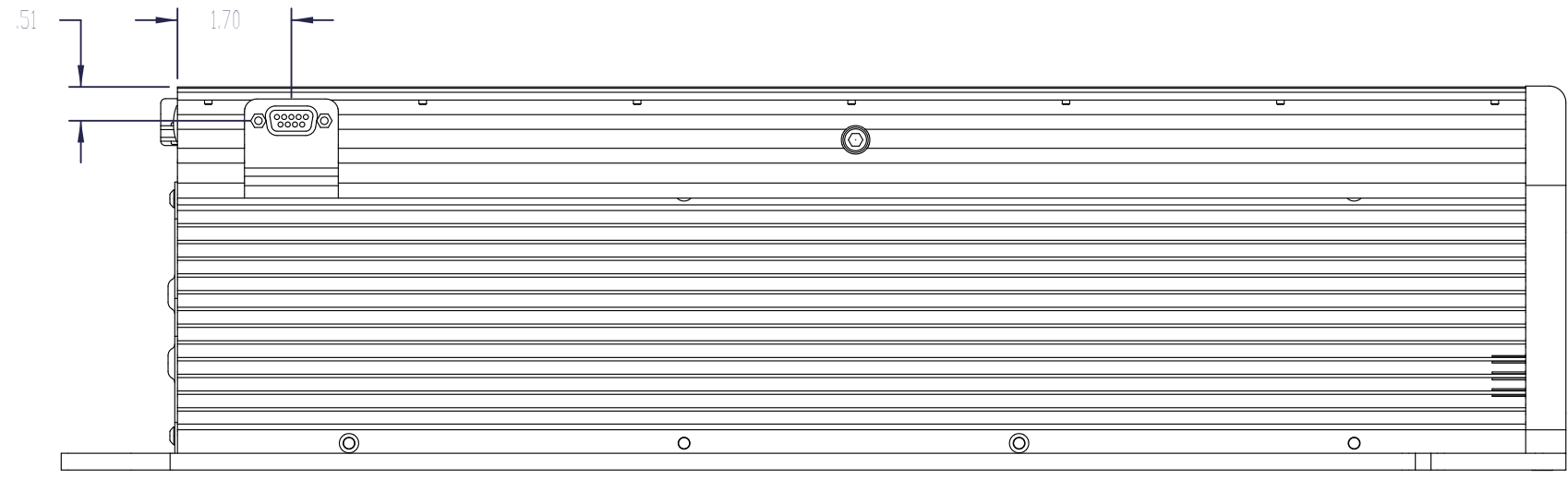
SHEET 1 of 2


UNITS: Inches

SIZE: B

	SYNRAD INC. 4600 Campus Place Mukilteo, WA 98275 Phone: (425)349-3500 Fax: (425)349-3667		
	DESCRIPTION: OUTLINE & MOUNTING, AIR-COOLED, Ti60, OEM		
PART NUMBER: 300-19847-01		DWG/FILE NUMBER: 300-19847-01	
SHEET 1 of 2	ENG:	DRAWN BY: D. DUVAL	DATE: 26-Aug-08
UNITS: Inches	CATEGORY:	CHECKED BY:	DATE:
SIZE: B	FINISH CLASS:	APPROVED BY:	DATE:

REV	ECD	DATE	DESCRIPTION	DB
A	4045	14-May-09	RELEASE TO PRODUCTION	DMD
B	4107	9-Sep-09	ADD NOTE 4	DMD
.	.	.	.	.



TOLERANCES UNLESS NOTED:		PROPRIETARY THIS DRAWING IS PROPRIETARY TO SYNRAD INC. AND SHALL NOT BE USED OR DISCLOSED IN WHOLE OR IN PART WITHOUT WRITTEN PERMISSION OF SYNRAD INC.		 SYNRAD INC. 4600 Campus Place Mukilteo, WA 98275 Phone: (425)349-3500 Fax: (425)349-3667	
.x = ± .	ANGLE = ± .°				
.xx = ± .					
.xxx = ± .		DESCRIPTION: OUTLINE & MOUNTING, AIR-COOLED, Ti60, OEM			
MATERIAL:		PART NUMBER:	300-19847-01	DWG./FILE NUMBER:	300-19847-01
FINISH:		SHEET	2 of 2	ENG:	D. DUVALL
		UNITS:	Inches	CATEGORY:	
		SIZE:	B	FINISH CLASS:	
		CHECKED BY:		DATE:	26-Aug-08
		APPROVED BY:		DATE:	