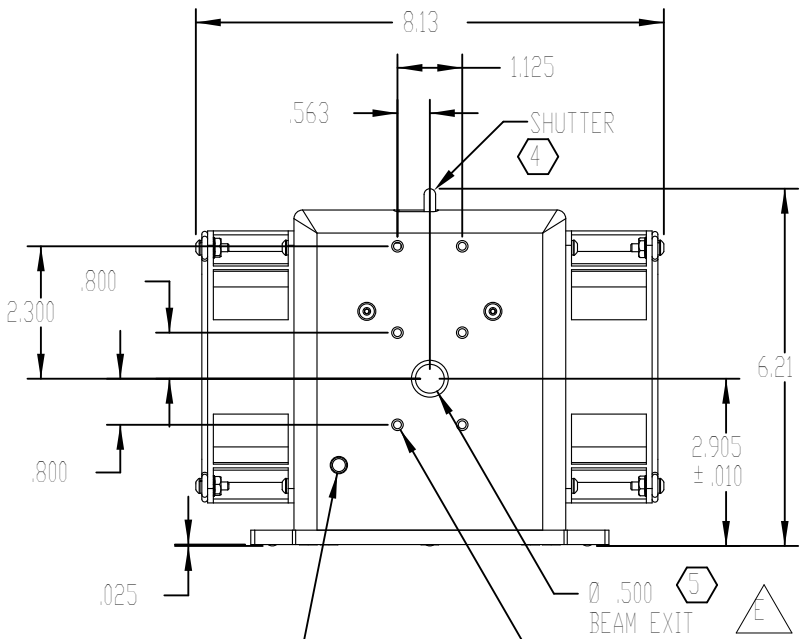
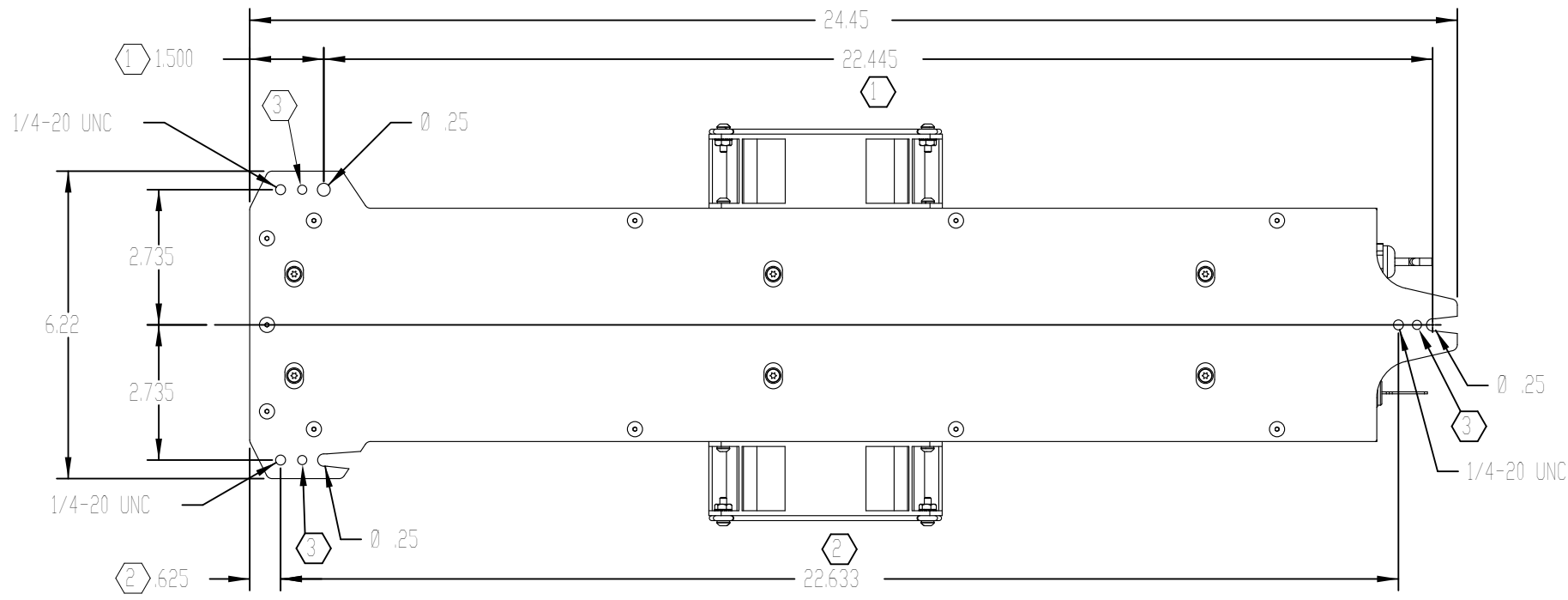
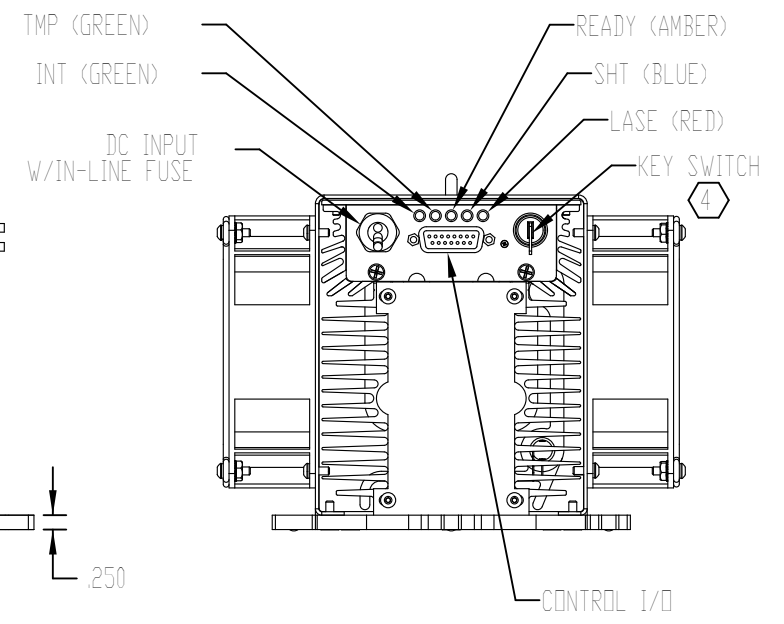
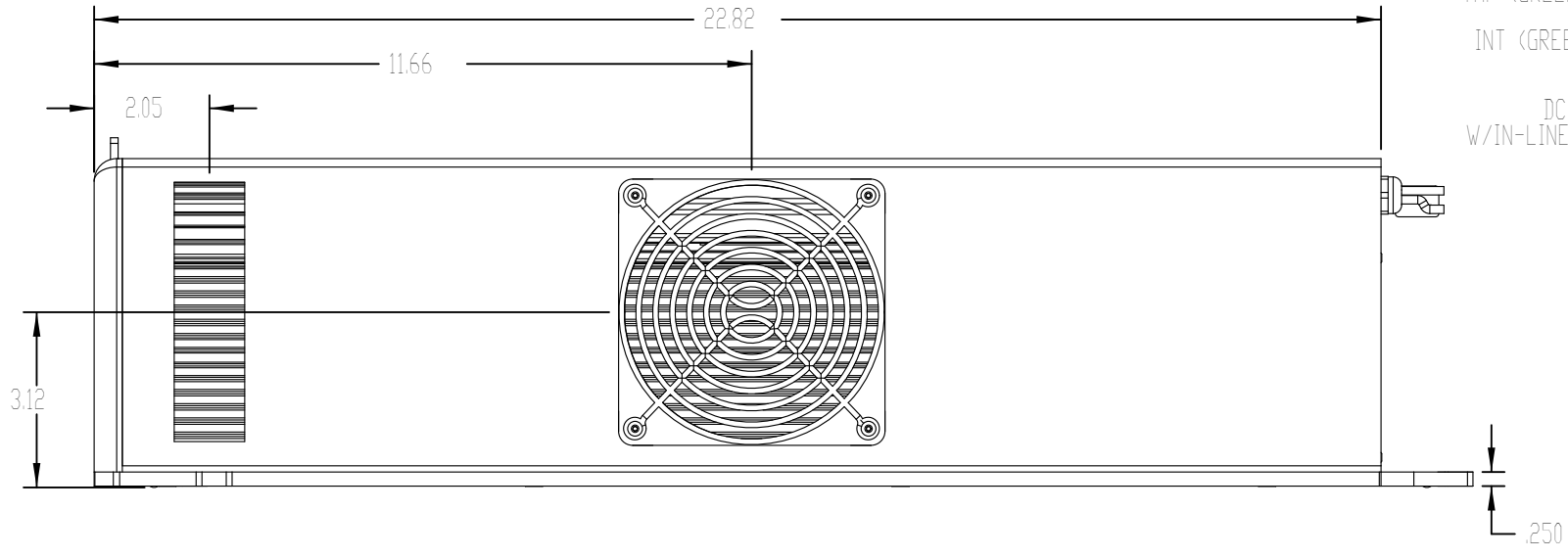


REV	ECO	DATE	DESCRIPTION	DB
D	3912	11-Aug-08	ADD BEAM EXIT, CONVERT TO SOLIDWORKS	DMD
E	4107	9-Sep-09	ADD NOTE 5	DMD



5VDC ACCESSORY POWER

6X 8-32 UNC ACCESSORY MOUNTING HOLES. SCREWS SHOULD NOT EXTEND MORE THAN .19 INTO FACE PLATE



PART NUMBER	MODEL
FSV40KF	KEY
FSV40SF	DEM

- NOTES:
- ① THIS MOUNTING HOLE PATTERN USED WHEN TOP ACCESS FASTENING DESIRED.
 - ② THIS MOUNTING PATTERN USED WHEN BOTTOM ACCESS FASTENING DESIRED.
 - ③ HARDENED BALL MOUNTING POINT, 3X. (∅.1875 BALL BEARING)
 - ④ KEYSWITCH VERSION ONLY.
 - ⚠ ⑤ BEAM PATH MAY NOT BE CENTERED OR PERPENDICULAR TO FACEPLATE APERTURE.

TOLERANCES UNLESS NOTED:	
.x = ± 0.1	ANGLE = ± 0.5 °
.xx = ± 0.01	
.xxx = ± 0.005	
MATERIAL:	
FINISH:	

PROPRIETARY
THIS DRAWING IS PROPRIETARY TO SYNRAD INC. AND SHALL NOT BE USED OR DISCLOSED IN WHOLE OR IN PART WITHOUT WRITTEN PERMISSION OF SYNRAD INC.

DESCRIPTION:
OUTLINE & MOUNTING, FAN-COOLED, V40

PART NUMBER: SEE TABLE

SHEET 1 of 1

UNITS: Inches

SIZE: B

	SYNRAD INC. 4600 Campus Place Mukilteo, WA 98275 Phone: (425)349-3500 Fax: (425)349-3667		
	DESCRIPTION: OUTLINE & MOUNTING, FAN-COOLED, V40		
PART NUMBER: SEE TABLE		DWG/FILE NUMBER: 300-18565-02	
SHEET 1 of 1	ENG:	DRAWN BY: K. Johnson	DATE: 13-Jul-01
UNITS: Inches	CATEGORY:	CHECKED BY:	DATE:
SIZE: B	FINISH CLASS:	APPROVED BY:	DATE: