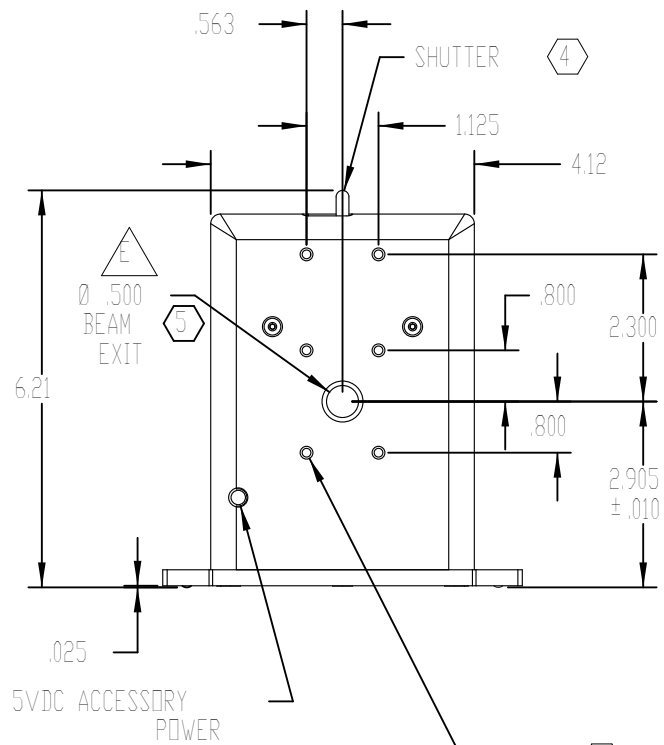
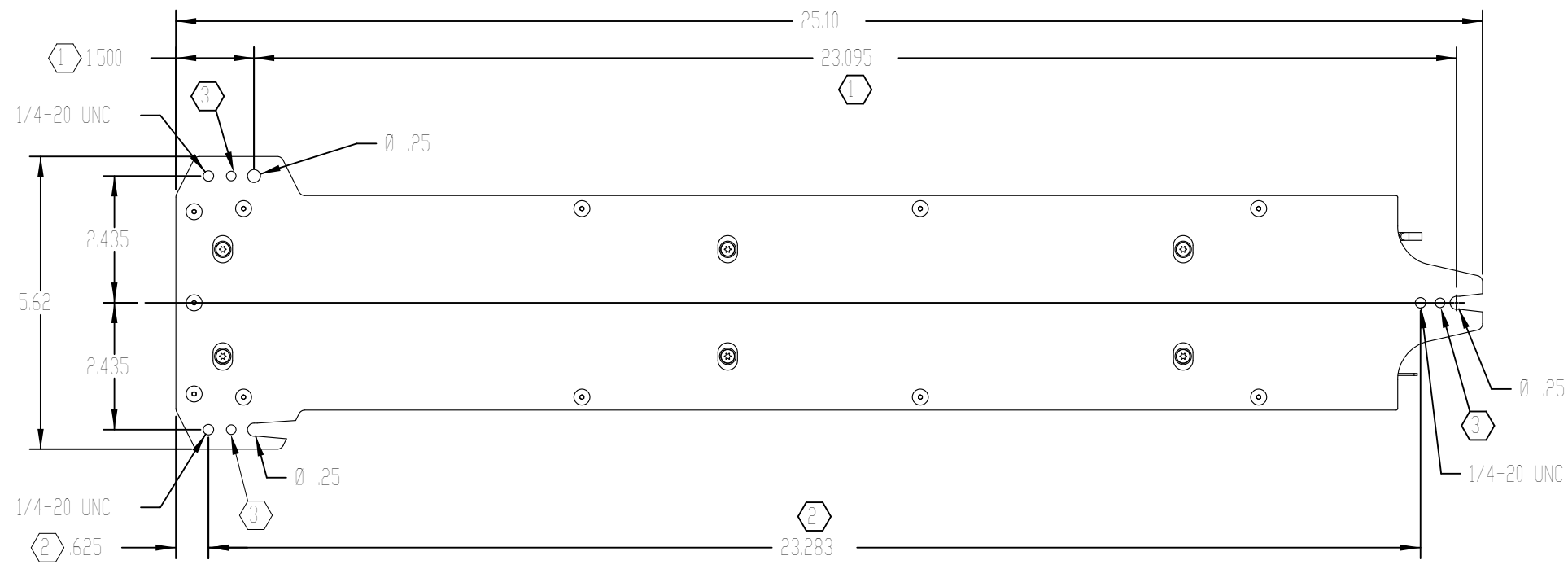
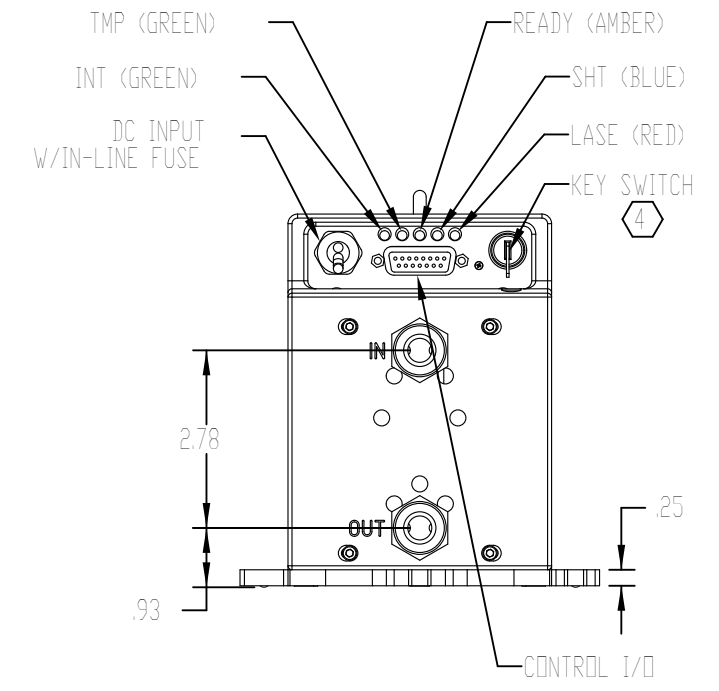
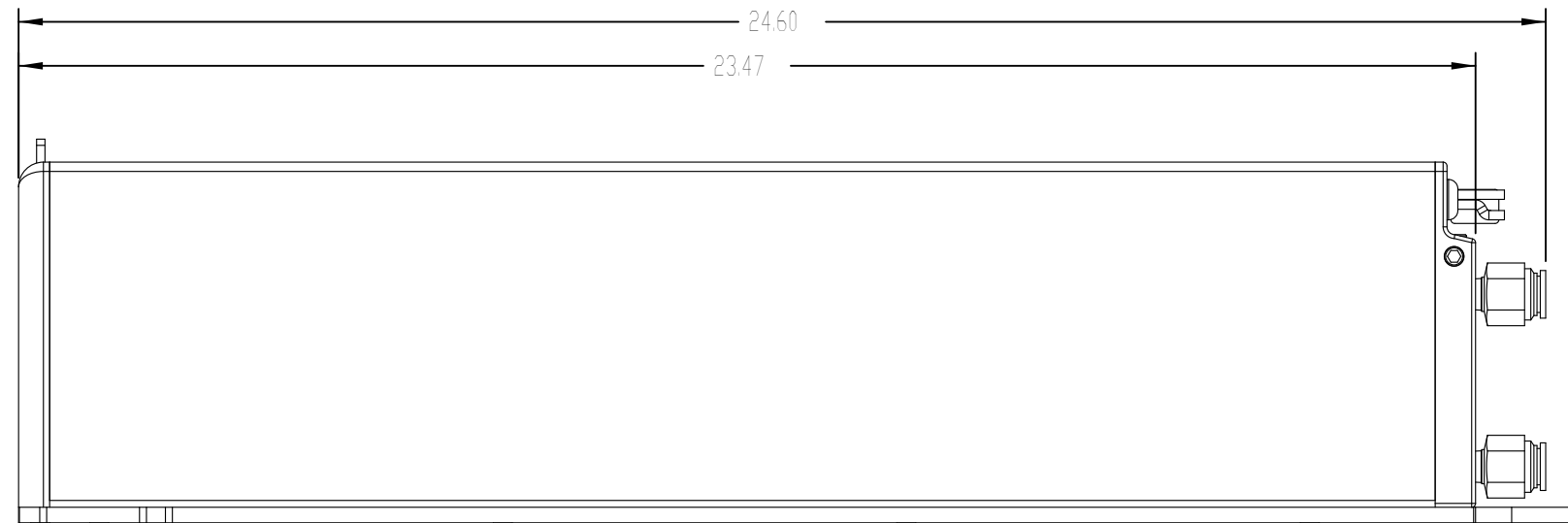


REV	ECO	DATE	DESCRIPTION	DB
D	3912	11-Aug-08	ADD BEAM EXITØ, CONVERT TO SOLIDWORKS	DMD
E	4107	9-Sep-09	ADD NOTE 5	DMD



6X 8-32 UNC ACCESSORY MOUNTING HOLES. SCREWS SHOULD NOT EXTEND MORE THAN .19 INTO FACE PLATE



PART NUMBER	MODEL
FSV40KW	KEY
FSV40SW	DEM

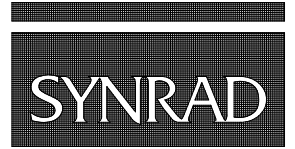
- NOTES:
- 1 THIS MOUNTING HOLE PATTERN USED WHEN TOP ACCESS FASTENING DESIRED.
 - 2 THIS MOUNTING PATTERN USED WHEN BOTTOM ACCESS FASTENING DESIRED.
 - 3 HARDENED BALL MOUNTING POINT, 3X. (Ø.1875 BALL BEARING)
 - 4 KEYSWITCH VERSION ONLY.
 - 5 BEAM PATH MAY NOT BE CENTERED OR PERPENDICULAR TO FACEPLATE APERTURE.

TOLERANCES UNLESS NOTED:	
.x = ± 0.1	ANGLE = ± 0.5 °
.xx = ± 0.01	
.xxx = ± 0.005	
MATERIAL:	
FINISH:	

PROPRIETARY
THIS DRAWING IS PROPRIETARY TO SYNRAD INC. AND SHALL NOT BE USED OR DISCLOSED IN WHOLE OR IN PART WITHOUT WRITTEN PERMISSION OF SYNRAD INC.

DESCRIPTION:
OUTLINE & MOUNTING, WATER-COOLED, V40

PART NUMBER: SEE TABLE
SHEET 1 of 1
UNITS: Inches
SIZE: B

	SYNRAD INC. 4600 Campus Place Mukilteo, WA 98275 Phone: (425)349-3500 Fax: (425)349-3667	
	DESCRIPTION: OUTLINE & MOUNTING, WATER-COOLED, V40	DWG/FILE NUMBER: 300-18565-03
PART NUMBER: SEE TABLE	DRAWN BY: K. JOHNSON	DATE: 12-Sep-01
FINISH CLASS:	CHECKED BY:	DATE:
APPROVED BY:	DATE:	DATE: